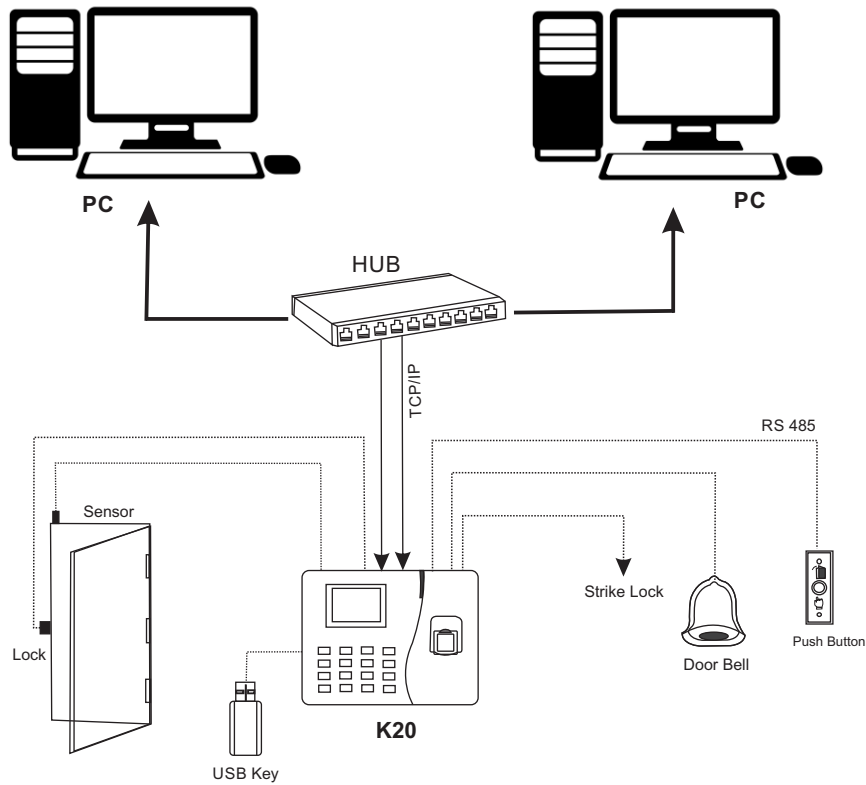
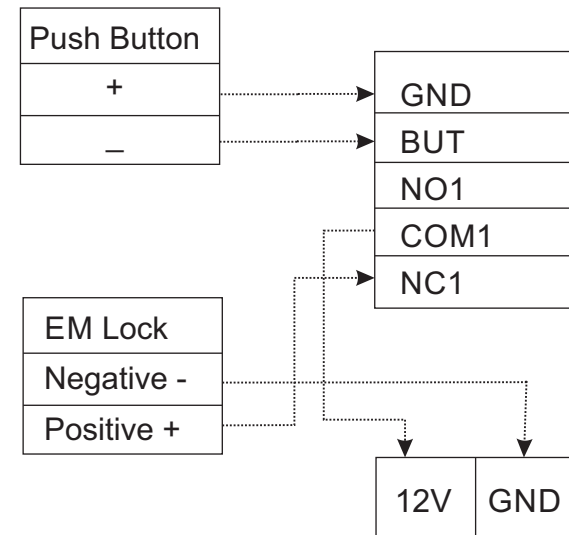


K20 Connection Diagram



K20 with Push Button & EM Lock Connection



Separate Power Supply of EM Lock



5V, 0.8m